

MSG-425 EFI

2.5 Liter 4-Cylinder



Options

Engine Cooling Fans

- 15" (381mm) diameter suction
- 15" (381mm) diameter pusher

Flywheels

- 10" (254mm) SAE over-center clutch
- flat face flywheel

Flywheel Housings

- SAE #4

Exhaust Manifold

- rear dump down

Power Steering Pump

Wiring Harnesses

Discrete Speed Switch

Variable Speed Hand Throttle

Variable Speed Foot Pedal

Engine Mounts

- Automotive with insulators
- Open power unit

Electronic Instrument Panel, Gauges

Three Way Catalyst / Muffler Standard

Transmissions

6R80 electronic shift

C6 Mechanical

Emissions Information

California Air Resources Board (CARB)

Environmental Protection Agency (EPA)

Emission Certified Packages Available.

Warranty

Contact Engine Distributors, Inc
for warranty details.



Powertrain Assemblies
& Components
Provided By Ford
Component Sales

Specifications

Engine Type	I-4
Bore and Stroke	3.5" x 3.93" (89mm x 100mm)
Displacement	2.5L Liter (152.5 CID)
Compression Ratio	9.7:1
Oil Capacity	7 qts. including filter
Net Weight	351 Lbs. with accessories (159 Kgs.)
Dimensions	L 30.3" x W 23.3" x H 32.6" (769 mm x 589 mm x 828 mm)

Gasoline (corrected per SAE J1349)

Unleaded 87 or 89 octane	
Intermittent Power	84 [HP] @ 3200rpm (62 [kW] @ 3200rpm)
Continuous power	75 [HP] @ 3200rpm (56 [kW] @ 3200rpm)
Intermittent Torque	137 [ft-lbs] @3200rpm (185 [N-m] @ 3200rpm)
Continuous Torque	123 [ft-lbs] @3200rpm (166 [N-m] @ 3200rpm)

Natural Gas (corrected per SAE J1349)

Fuel Specification	1050 BTU/FT3
Intermittent Power	76 [HP] @ 3200rpm (56 [kW] @ 3200rpm)
Continuous power	68 [HP] @ 3200rpm (50 [kW] @ 3200rpm)
Intermittent Torque	125 [ft-lbs] @3200rpm (169 [N-m] @ 3200rpm)
Continuous Torque	113 [ft-lbs] @3200rpm (153 [N-m] @ 3200rpm)

Liquefied Petroleum Gas (corrected per SAE J1349)

Fuel Specification	HD-5
Intermittent Power	80 [HP] @ 3200rpm (59 [kW] @ 3200rpm)
Continuous power	72 [HP] @ 3200rpm (53 [kW] @ 3200rpm)
Intermittent Torque	131 [ft-lbs] @3200rpm (177 [N-m] @ 3200rpm)
Continuous Torque	118 [ft-lbs] @3200rpm (160 [N-m] @ 3200rpm)

Standard Features / Benefits

Set-for-life valvetrain

Deep skirted, ribbed cylinder block casting for rigidity

Aluminum AA319 cylinder block cast with the Cosworth process, including cast-in-place iron cylinder liners.

Chain driven dual camshafts with automatic tensioning system

Structural front cover and oil pan

Alternate fuel ready valvetrain components

Individual coil on plug electronic ignition

Cast aluminum camshaft cover to ensure warp-free sealing

Sintered metal connecting rods

Nodular iron crankshaft, featuring five main bearings, eight counterweights

Broadband knock sensor, calibrated for individual cylinder use

Gasoline Sequential Port Fuel Injection

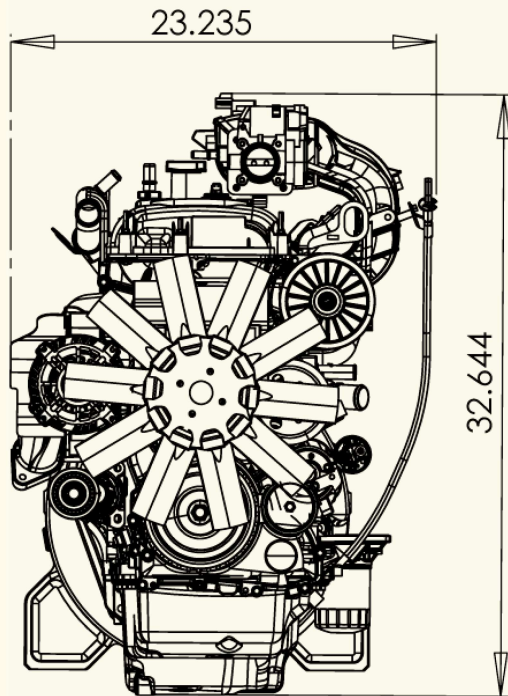
Closed loop fuel control for all fuels

Electronic engine management system with built-in engine protection against detonation, high coolant temperature, low oil pressure, over speed shutdown and starter lockout

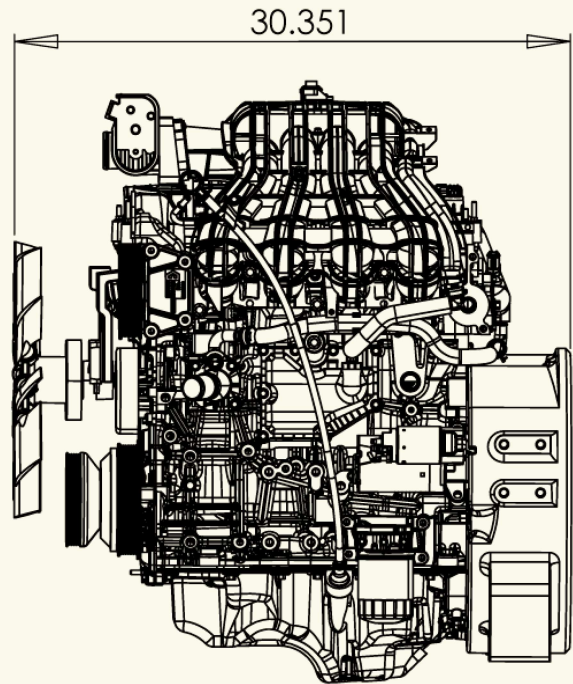
Next generation governing – discrete speeds, variable speeds, drive by wire – using the highest quality components.

Installation Drawings

Front End View

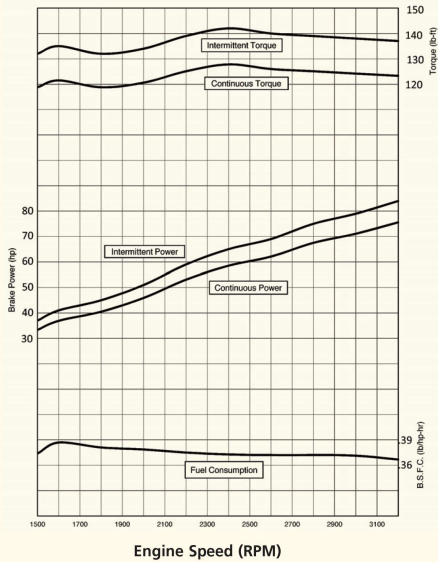


Left Side View

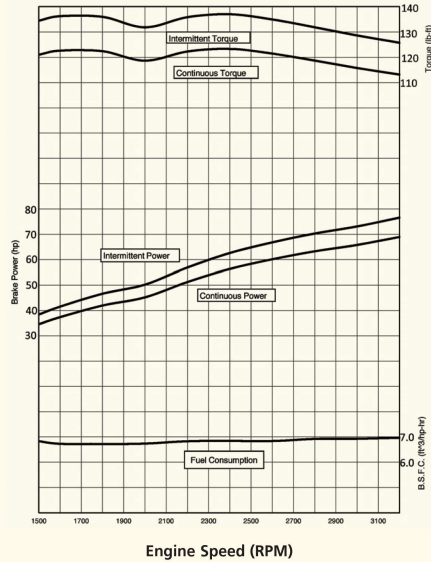


Power Curves (corrected per SAE J1349)

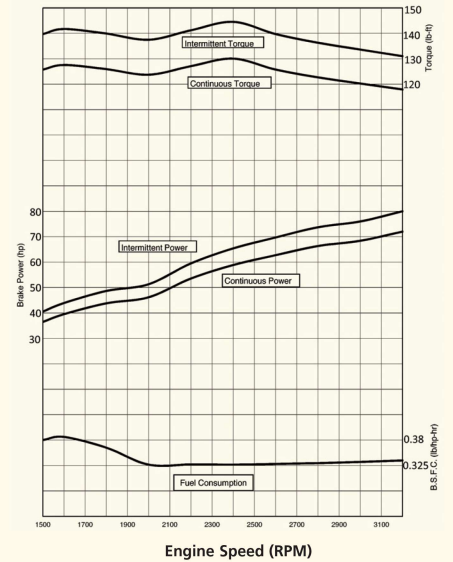
Gasoline



Natural Gas



Liquefied Petroleum Gas



Powertrain Assemblies
& Components
Provided By Ford
Component Sales

For additional information Contact:

Crosspoint
Power & Refrigeration
crosspointpowerandrefrigeration.com

Indianapolis
4301 W. Morris St.
Indianapolis, IN 46241
317-240-1967

Ft Wayne
3411 W. Coliseum Blvd.
Ft. Wayne, IN 46808
260-482-6619